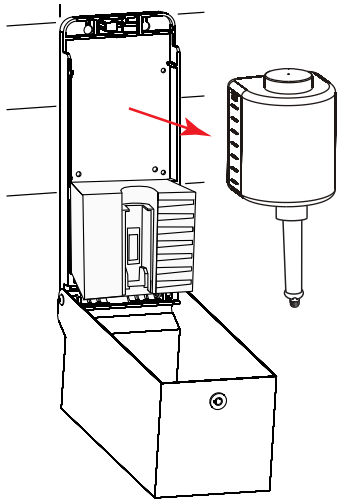
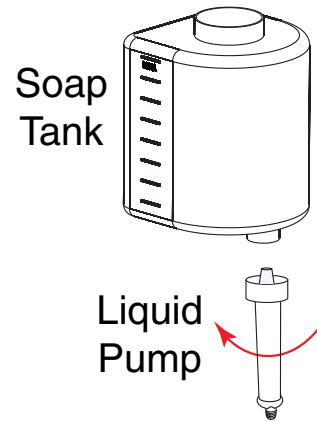


REPLACEMENT INSTALLATION INSTRUCTIONS

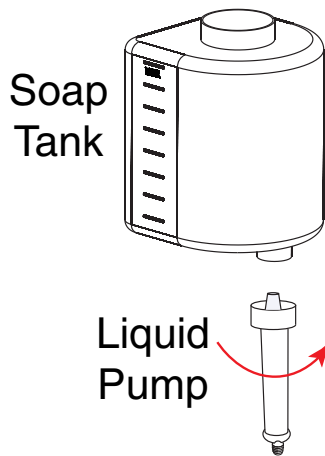
AUTOMATIC WALL-MOUNTED LIQUID SOAP DISPENSER



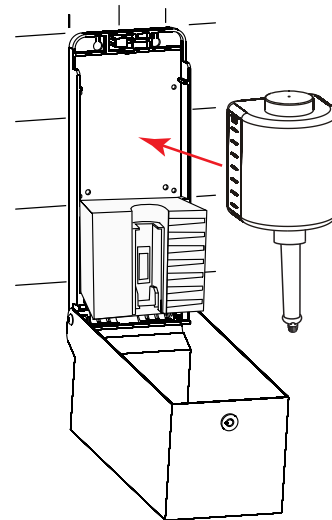
1. Remove soap tank and pump from base plate.



2. Unscrew pump clockwise to remove from soap tank.



3. Screw pump counter-clockwise onto soap tank.



4. Place soap tank with pump connected onto base plate.



© 2016 by Bobrick Washroom Equipment, Inc.
2012-69 i12/20/16

