

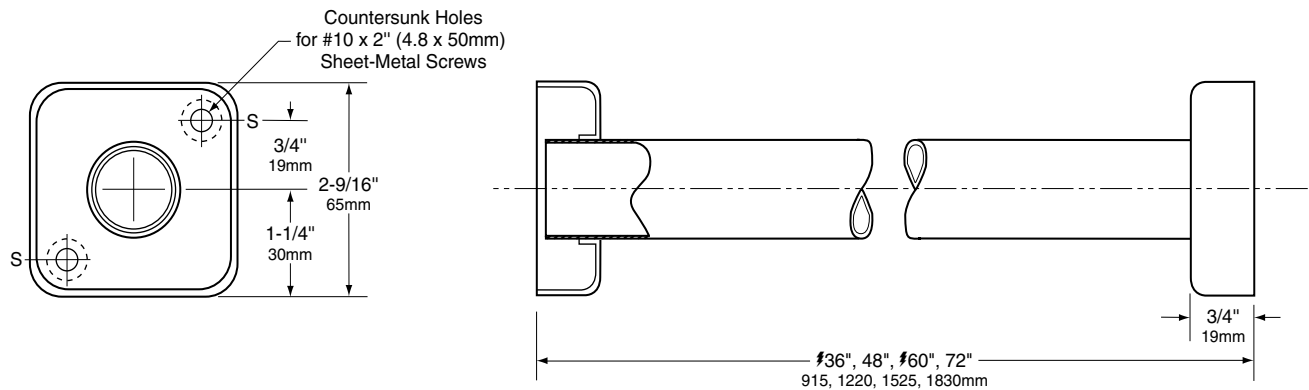


Technical Data

ClassicSeries™ EXTRA-HEAVY-DUTY SHOWER CURTAIN ROD

B-6047

Distributed by
www.PandaProducts.com
Phone: (800) 608-6568
Fax: (409) 840-5545
info@pandaproducts.com



MATERIALS:

Curtain Rod — 18-8 S, type-304, 18-gauge (1.2mm) stainless steel tubing with satin finish. 1-1/4" (30mm) outside diameter. Available in lengths from 36" (915mm) up to 72" (1830mm).

Flanges — 18-8 S, type-304, 20-gauge (1.0mm) stainless steel with satin finish. One-piece, die-formed.

INSTALLATION:

Slide flanges onto curtain rod. Position flanges against wall and secure with #10 x 2" (M4.8 x 50mm) Phillips oval-head, stainless steel, sheet-metal screws, furnished by manufacturer, at points indicated by an S. For plaster or dry wall construction, provide concealed backing to comply with local building codes, then secure flanges with sheet-metal screws furnished. For other wall surfaces, provide fiber plugs or expansion shields for use with sheet-metal screws furnished, or provide 1/8" (3mm) toggle bolts or expansion bolts.

SPECIFICATION:

Shower curtain rod shall be type-304, 18-gauge (1.2mm) stainless steel with satin finish and have outside diameter of 1-1/4" (30mm). One-piece, die-formed flanges shall be type-304, 20-gauge (1.0mm) stainless steel with satin finish. Manufacturer's service and parts manual shall be provided to the building owner/manager upon request.

Shower Curtain Rod shall be Model B-6047 x _____ (insert length) of Bobrick Washroom Equipment, Inc., Clifton Park, New York; Jackson, Tennessee; Los Angeles, California; Bobrick Washroom Equipment Company, Scarborough, Ontario; Bobrick Washroom Equipment Pty. Ltd., Australia; and Bobrick Washroom Equipment Limited, United Kingdom.