



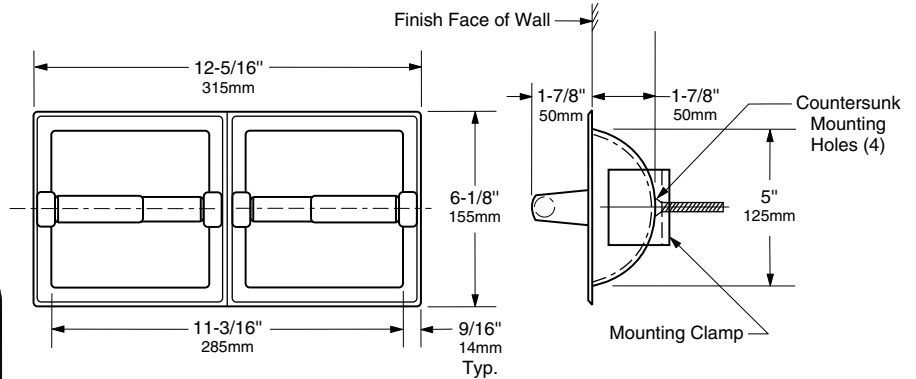
## Technical Data

# RECESSED DUAL-ROLL TOILET TISSUE DISPENSER

(FOR STUD WALLS OR COUNTERTOP APRONS)

# B-697 B-6977

Specify Model Required:  Model B-697 Bright polished stainless steel  
 Model B-6977 Satin-finish stainless steel



Distributed by  
**www.PandaProducts.com**  
Phone: (800) 608-6568  
Fax: (409) 840-5545  
info@pandaproducts.com

**Rough Opening**  
11-3/4" (300mm) wide  
5-1/4" (135mm) high  
3-3/8" (85mm) minimum  
recessed depth

### MATERIALS:

**Shell and Flange** — 18-8 S, type-304, 22-gauge (0.8mm) stainless steel. Drawn, one-piece, seamless construction with four countersunk mounting holes.

**Support Posts (4)** — Heavy-duty cast zamak with chrome-plated finish.

**Mounting Bracket** — Plated-steel mounting clamp attaches to back of unit with four sheet-metal screws for installation in stud walls or countertop aprons.

**Spindles (2)** — Chrome-plated plastic equipped with heavy-duty internal springs.

*Designer's Note:* Theft-resistant toilet tissue spindles, which are removable only with special key provided, are available as an optional accessory. To specify, add suffix .60 to model number. Example: B-697.60.

### INSTALLATION:

Provide framed rough opening 11-3/4" wide x 5-1/4" high (300 x 135mm). Minimum recessed depth required from finish face of wall or apron is 3-3/8" (85mm).

For installation in stud walls or countertop aprons without backing, loosely attach mounting clamp to back of unit with sheet-metal mounting screws. Insert into rough opening. Adjust mounting clamp so it grips surface inside rough opening. Secure in place by tightening four sheet-metal mounting screws.

For installation in stud walls or countertop aprons with backing, discard mounting clamp furnished with unit. Insert unit only into rough opening and secure with sheet-metal screws furnished. Backing must comply with local building codes.

### SPECIFICATION:

Recessed dual-roll toilet tissue dispenser shall be type-304, 22-gauge (0.8mm) stainless steel with \_\_\_\_\_ (insert one: bright polished or satin) finish. Shell and flange shall be drawn, one-piece, seamless construction. Unit shall be furnished with plated-steel mounting clamp for stud walls and countertop aprons. \*Spindles shall be chrome-plated plastic with heavy-duty internal springs. Manufacturer's service and parts manual shall be provided to the building owner/manager upon request.

*\*To specify theft-resistant spindles as an optional accessory, add to specification:* Theft-resistant toilet tissue spindles shall be removable only with special key provided.

**Recessed Dual-Roll Toilet Tissue Dispenser shall be Model \_\_\_\_\_ (insert model number) of Bobrick Washroom Equipment, Inc., Clifton Park, New York; Jackson, Tennessee; Los Angeles, California; Bobrick Washroom Equipment Company, Scarborough, Ontario; Bobrick Washroom Equipment Pty. Ltd., Australia; and Bobrick Washroom Equipment Limited, United Kingdom.**