



Technical Data

QuietDry™ Series DuraDry™ SURFACE-MOUNTED HAND DRYER

B-770 B-778

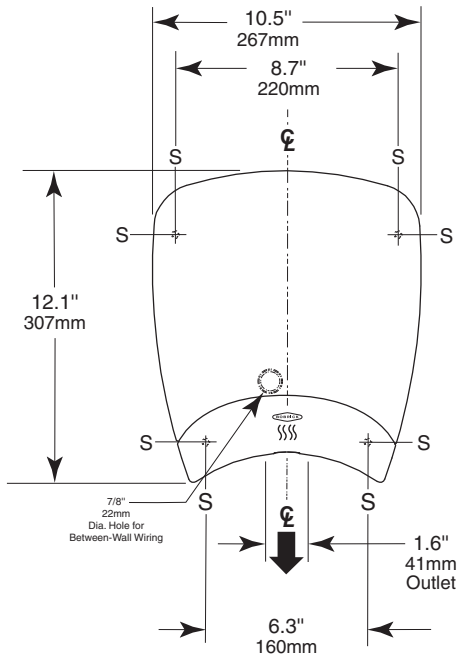
Specify Model Required:

- B-770 Dryer with White High Gloss Epoxy Cover
- B-778 Dryer with Chrome Cover

Specify model number followed by voltage required.
Example: B-778 115V for 115-volt Chrome cover hand dryer.

Specify Voltage Required:

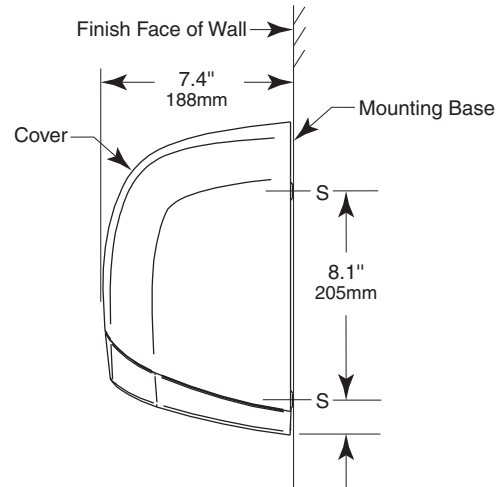
- 115V AC, 12 Amp, 50/60 Hz, 1380 Watts, Single Phase, cULus Listed.
- 208-240V AC, 5.5-6.3 Amp, 50/60 Hz, 1380 Watts, Single Phase, cULus Listed and CE marked.



***RECOMMENDED MOUNTING HEIGHTS**

Children's Washrooms, ages 3-4	36" (915mm)
Children's Washrooms, ages 5-8	40" (1015mm)
Children's Washrooms, ages 9-12	44" (1120mm)
Universal Design	48" (1219mm)

*Bottom screw hole of mounting base to finish face of floor



See Table for Recommended Mounting Height Off Floor

MATERIALS:

Cover — Aluminum die-casting with white high-gloss epoxy finish electrostatically applied (B-770) or chrome finish (B-778). Air-inlet opening is equipped with vandal-resistant grill. Cover is secured to mounting base with two concealed, recessed hex-screws.

Air-Inlet Grill — One-piece vandal resistant aluminium die-casting, with black high gloss epoxy finish electrostatically applied.

Mounting Base — Equipped with four 0.236" (6mm) diameter mounting holes and one 7/8" (22mm) diameter hole suitable for between-wall wiring.

Motor/Fan — Thermally-protected, Universal, 1/10 hp, 7000 rpm motor construction with shielded ball-bearings. Single-inlet forward-curve impeller, providing air volume of 112m³/Hr (66 cfm); air velocity of 46 m/s (9000 lfm).

continued . . .

Heating Element — Coiled Nichrome heating element mounted on a mica frame, protected by integral automatic thermal overload device. To heat air without hot spots and remain inaccessible to vandals.

Electronic Control — Infrared sensor automatically turns dryer on when hands are held under air-outlet opening and across path of sensor. Remove hands from path of sensor and dryer stops. Electronic sensor has automatic shutoff approximately 1-1/2 minutes after dryer turns on if an inanimate object is placed across air-outlet opening. After inanimate object is removed, electronic sensor automatically resets itself and dryer operates normally.

OPERATION:

No-touch operation: electronic sensor automatically turns dryer on when hands are held under air-outlet opening and across path of sensor. Remove hands from path of sensor and dryer stops. Dryer will not stop by itself before user is satisfied hands are dry. Dryer operates only when actually drying hands which saves energy and operating costs. Electronic sensor will automatically shut dryer off 1-1/2 minutes after dryer turns on if an inanimate object, such as tape or chewing gum, is placed across air-outlet opening. After inanimate object is removed, electronic sensor automatically resets itself and dryer operates normally.

SAFETY WARNING: Installation and wiring must conform to current local regulations and building codes. Unit must be installed by a qualified electrician. Turn off electrical power supply before making electrical connections. If the unit fails or malfunctions, it should be disconnected from the power supply and a qualified electrician should be called. To avoid potential injury, the building owner or maintenance personnel should remove the unit from service if the grille is missing or damaged.

10-Year Limited Warranty — In addition to Bobrick's one-year guarantee, Bobrick extends a limited 10 year warranty from the date of purchase for Model B-770 and B-778 hand dryers on all parts, except motor brushes, to the original owner of the installed unit against defects in factory workmanship or material under normal use and service. Motor brushes are warranted for 3 years from date of purchase. This warranty is limited to the repair or exchange of defective parts at the option of Bobrick.

SPECIFICATION:

Surface-mounted hand dryer shall have a one-piece, cast aluminum cover with either white high-gloss epoxy finish electrostatically applied (B-770) or chrome finish (B-778). Motor shall be 75W (1/10hp) universal type on resilient mountings with shielded ball-bearings, equipped with an integral automatic thermal-overload device. Unit is equipped with single outlet for efficient dry time. The unit shall be uniquely designed to have a sound pressure level of 72dB(A) measured at 39" (1 metre) from source. Heating element shall be located on the inlet side of the fan; shall heat without hot spots; shall be inaccessible to vandals; protected by an integral thermal-overload device. Dryer controller shall automatically energize the dryer when hands are detected in the infrared sensing zone. The dryer will either automatically turn off immediately after hands are removed, or after 1-1/2 minutes of continuous usage. The controller will automatically reset after any obstructions are removed. The unit shall be CE marked, cULus Listed, & VDE approved. Unit shall comply with EU Directive "Restriction of Hazardous Substances" (RoHS) requirements for non-use of certain hazardous substances in the production of electronic products. Unit shall be protected by a limited 10 year warranty on all parts except motor brushes, in turn warranted for 3 years from date of purchase.

QuietDry™ Series, DuraDry™ Surface-Mounted Hand Dryer shall be Model B-770 or B-778 of Bobrick Washroom Equipment, Inc., Clifton Park, New York; Jackson, Tennessee; Los Angeles, California; Bobrick Washroom Equipment Company, Scarborough, Ontario; Bobrick Washroom Equipment Pty. Ltd., Australia; and Bobrick Washroom Equipment Limited, United Kingdom.

